

4. 図形と比  
⑦-C

氏名	
----	--

／100
------

60分

1	(1)	$\text{cm}^3$	(2)	$\text{cm}^3$
---	-----	---------------	-----	---------------

2 × 各5点

2	(1)	$\text{cm}^3$	(2)	倍	(3)	$\text{cm}^3$
---	-----	---------------	-----	---	-----	---------------

3 × 各5点

3	(1)	$\text{cm}^2$	(2)	$\text{cm}^2$	(3)	$\text{cm}^2$
---	-----	---------------	-----	---------------	-----	---------------

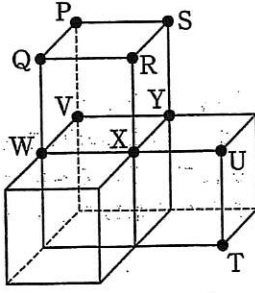
3 × 各5点

4	(1)	$\text{cm}^3$	(2)	$\text{cm}^3$	(3)	$\text{cm}^3$
---	-----	---------------	-----	---------------	-----	---------------

3 × 各6点

5	(1)	$\text{cm}^3$	(2)	$\text{cm}^3$	(3)	$\text{cm}^3$
---	-----	---------------	-----	---------------	-----	---------------

3 × 各6点

6	(1)	:	(2)	 <p>図2</p>
	(3)	:		
	(4)	:		

4 × 各6点